

# CATÁLOGO TÉCNICO

SOPORTES FUNDICIÓN  
SOPORTES TERMOPLÁSTICOS  
ACCESORIOS



Rodamientos  
**CENTRO, S.L**



# 01

## SOPORTES FUNDICIÓN

Rodamientos

**CENTRO, S.L**



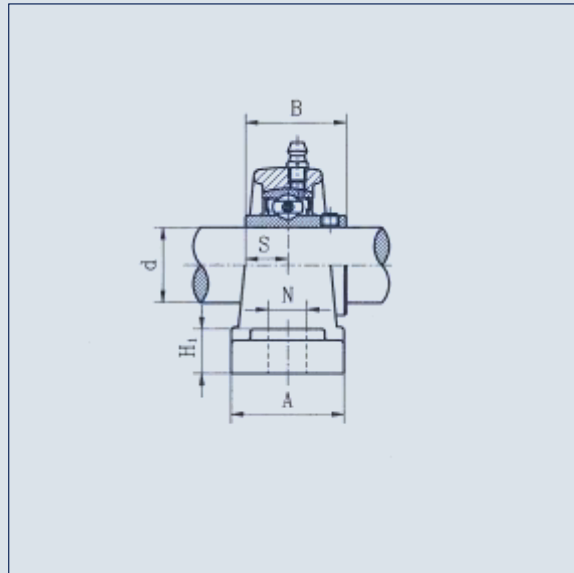
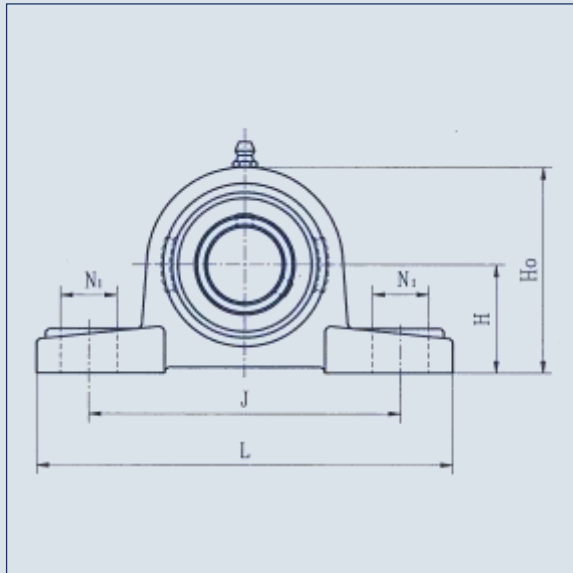


## SOPORTES FUNDICIÓN

Fijación por tornillo

UCP 2

03



Nº UNIDAD	Ø	Dimensiones (mm)										Métrica	Nº Rod.	Nº Caja	Peso Kg.
		H	L	J	A	N	N1	H1	H0	S	B				
UCP-202	15	30.2	125	96	32	12	16	13	57	11.5	27.4	M10	UC202		0.60
UCP-203	17	30.2	125	96	32	12	16	13	57	11.5	27.4	M10	UC203	P203	0.60
UCP-204	20	33.3	127	96	37	13	16	14	63.8	12.7	31	M10	UC204	P204	0.65
UCP-205	25	36.5	140	105	38	13	19	15	69.5	14.3	34	M10	UC205	P205	0.72
UCP-206	30	42.9	160	121	44	14	19	16	82	15.9	38.1	M12	UC206	P206	1.15
UCP-207	35	47.6	167	126	48	15	19	17	92	17.5	42.9	M12	UC207	P207	1.53
UCP-208	40	49.2	180	136	52	15	21	18	98	19	49.2	M12	UC208	P208	1.88
UCP-209	45	54	189	146	54	15	21	20	105.5	19	49.2	M12	UC209	P209	2.10
UCP-210	50	57.2	204	159	57	19	22	21	112.2	19	51.6	M16	UC210	P210	2.50
UCP-211	55	63.5	217	172	60	19	22	22	124.5	22.2	55.6	M16	UC211	P211	3.30
UCP-212	60	69.9	238	186	66	19	25	24	137	25.4	65.1	M16	UC212	P212	5.50
UCP-213	65	76.2	262	203	70	23	29	26	149	25.4	65.1	M20	UC213	P213	5.60
UCP-214	70	79.4	266	210	72	23	29	27	155	30.2	74.6	M20	UC214	P214	6.60
UCP-215	75	82.6	274	217	74	25	29	28	161.6	33.3	77.8	M20	UC215	P215	7.30
UCP-216	80	88.9	292	232	78	25	30	30	174	33.3	82.6	M20	UC216	P216	8.30
UCP-217	85	95.2	310	247	83	25	30	32	186	34.1	85.7	M20	UC217	P217	10.8
UCP-218	90	101.6	326	262	88	27	30	33	198	39.7	96	M22	UC218	P218	13.0

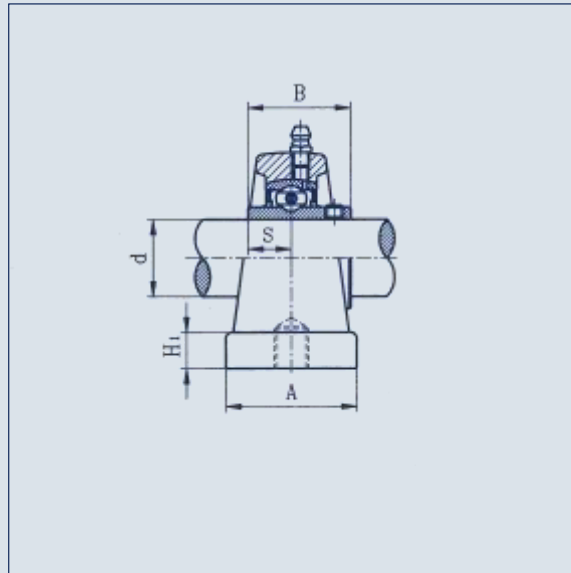
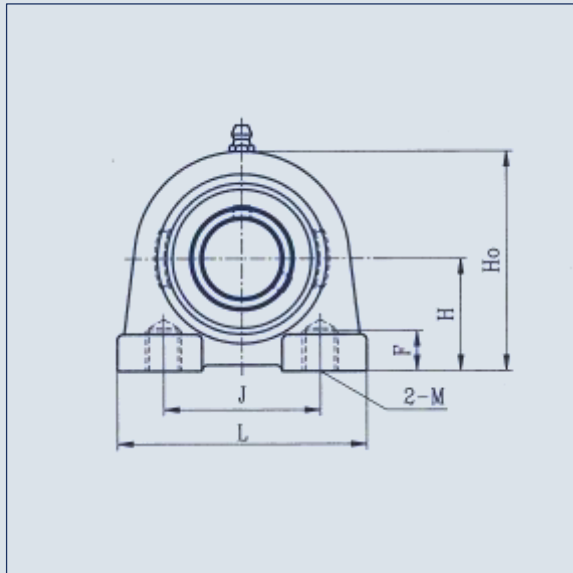


## SOPORTES FUNDICIÓN

Fijación por tornillo

UCPA2

04



Nº UNIDAD	Ø	Dimensiones (mm)									Métrica	Nº Rod.	Nº Caja	Peso Kg.
		H	L	J	A	Ho	H1	S	B	F				
UCPA-202	15	30.2	70	48	36	57	10	11.5	27.4	9	M8	UC202		
UCPA-203	17	30.2	70	48	36	57	10	11.5	27.4	9	M8	UC203	PA203	
UCPA-204	20	30.2	76	52	40	62	11	12.7	31	13	M10X1.5	UC204	PA204	0.60
UCPA-205	25	36.5	84	56	38	72	12	14.3	34	15	M10X1.5	UC205	PA205	0.80
UCPA-206	30	42.9	94	66	48	84	13	15.9	38.1	18	M14X2	UC206	PA206	1.20
UCPA-207	35	47.6	110	80	48	95	13	17.5	42.9	20	M14X2	UC207	PA207	1.70
UCPA-208	40	49.2	116	84	54	100	13	19	49.2	20	M14X2	UC208	PA208	2.00
UCPA-209	45	54.2	120	90	60	108	13	19	49.2	25	M14X2	UC209	PA209	2.20
UCPA-210	50	57.2	130	94	60	116	14	19	51.6	24	M16X2	UC210	PA210	2.80
UCPA-211	55	63.5	140	104	66	125	14	22.2	55.6	25	M16X2	UC211	PA211	3.00
UCPA-212	60	69.9	150	114	68	138	15	25.4	65.1	25	M16X2	UC212	PA212	4.24
UCPA-213	65	76.2	160	124	70	150	15	25.4	65.1	25	M16X2	UC213	PA213	

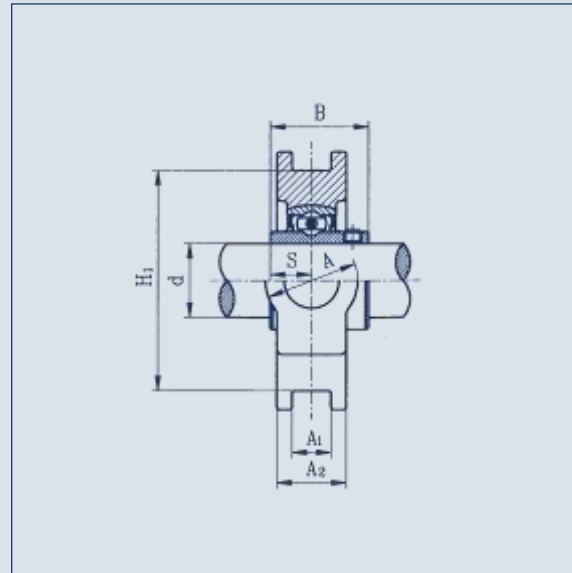
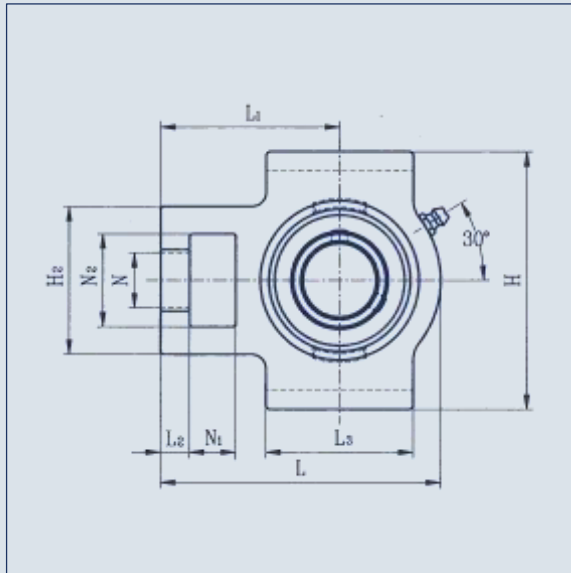


## SOPORTES FUNDICIÓN

Fijación por tornillo

UCT2

05



Nº UNIDAD	Ø	Dimensione (mm)															Nº Rod.	Nº Caja	Peso Kg.
		N1	L2	H2	N2	N	L3	A1	H1	H	L	A	A2	L1	B	S			
UCT204	20	16	10	51	32	19	51	12	76	89	94	32	21	61	31	12.7	UC204	T204	0.79
UCT205	25	16	10	51	32	19	51	12	76	89	97	32	24	62	34	14.3	UC205	T205	0.88
UCT206	30	16	10	56	37	22	57	12	89	102	113	37	28	70	38.1	15.9	UC206	T206	1.30
UCT207	35	16	13	64	37	22	64	12	89	102	129	37	30	78	42.9	17.5	UC207	T207	1.70
UCT208	40	19	16	83	49	29	83	16	102	114	144	49	33	88	49.2	19	UC208	T208	2.50
UCT209	45	19	16	83	49	29	83	16	102	117	144	49	35	87	49.2	19	UC209	T209	2.50
UCT210	50	19	16	83	49	29	86	16	102	117	149	49	37	90	51.6	19	UC210	T210	2.60
UCT211	55	25	19	102	64	35	95	22	130	146	171	64	38	106	55.6	22.2	UC211	T211	4.00
UCT212	60	32	19	102	64	35	102	22	130	146	194	64	42	119	65.1	25.4	UC212	T212	4.90
UCT213	65	32	21	111	70	41	121	26	151	167	224	70	44	137	65.1	25.4	UC213	T213	7.00
UCT214	70	32	21	111	70	41	121	26	151	167	224	70	46	137	74.6	30.2	UC214	T214	7.10
UCT15	75	32	21	111	70	41	121	26	151	167	232	70	48	140	77.8	33.3	UC215	T215	7.50
UCT216	80	32	21	111	70	41	121	26	165	184	235	70	51	140	82.6	33.3	UC216	T216	8.20
UCT217	85	38	29	124	73	48	157	30	173	198	260	73	54	162	85.7	34.1	UC217	T217	11.0

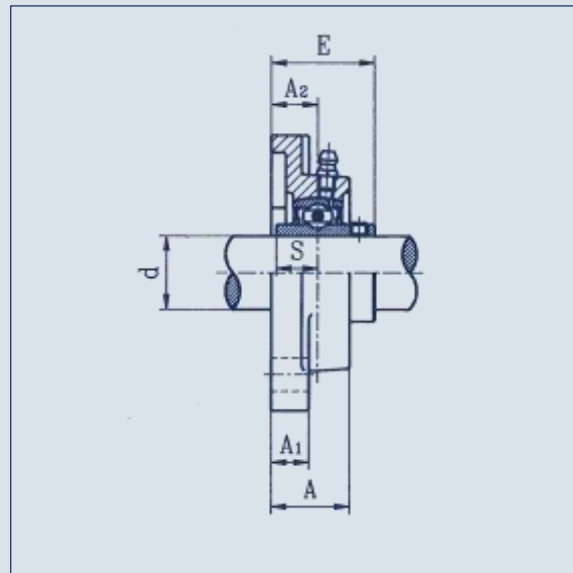
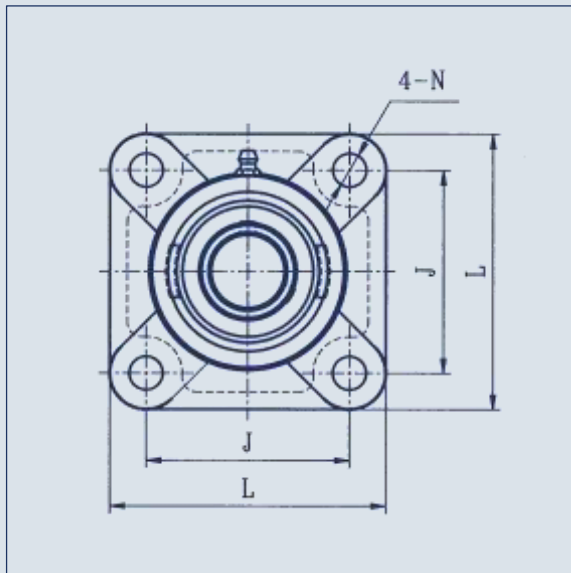


## SOPORTES FUNDICIÓN

Fijación por tornillo

UCF2

06



Nº UD.	Ø	Dimensiones (mm)								Métrica	Nº Rod.	Nº Caja	Peso Kg.
		L	J	A2	A1	A	E	N	S				
UCF-202	15	76	54	15	11	25.5	30.9	11.5	11.5	M10	UC202		0.57
UCF-203	17	76	54	15	11	25.5	30.9	11.5	11.5	M10	UC203	F203	0.50
UCF-204	20	86	64	15	15	25.5	33.3	11.5	12.7	M10	UC204	F204	0.61
UCF-205	25	95	70	16	13	27	35.7	11.5	14.3	M10	UC205	F205	0.80
UCF-206	30	108	83	18	13	31	40.2	11.5	15.9	M10	UC206	F206	1.07
UCF-207	35	117	92	19	15	34	44.4	14	17.5	M12	UC207	F207	1.40
UCF-208	40	130	102	21	15	36	51.2	14	19	M12	UC208	F208	1.80
UCF-209	45	137	105	22	16	38	52.2	16	19	M14	UC209	F209	2.20
UCF-210	50	143	111	22	16	40	54.6	18	19	M16	UC210	F210	2.40
UCF-211	55	162	130	25	18	43	58.4	18	22.2	M16	UC211	F211	3.50
UCF-212	60	175	143	29	18	48	68.7	18	25.4	M16	UC212	F212	4.20
UCF-213	65	187	149	30	22	50	69.7	18	25.4	M16	UC213	F213	5.30
UCF-214	70	193	152	31	22	54	75.4	18	30.2	M16	UC214	F214	5.90
UCF-215	75	200	159	34	22	56	78.5	18	33.3	M16	UC215	F215	6.30
UCF-216	80	208	165	34	22	57	83.3	22	33.3	M20	UC216	F216	7.30
UCF-217	85	220	175	36	24	63	87.6	23	34.1	M20	UC217	F217	8.90
UCF-218	90	235	187	40	25	68	96.3	23	39.7	M20	UC218	F218	11.6

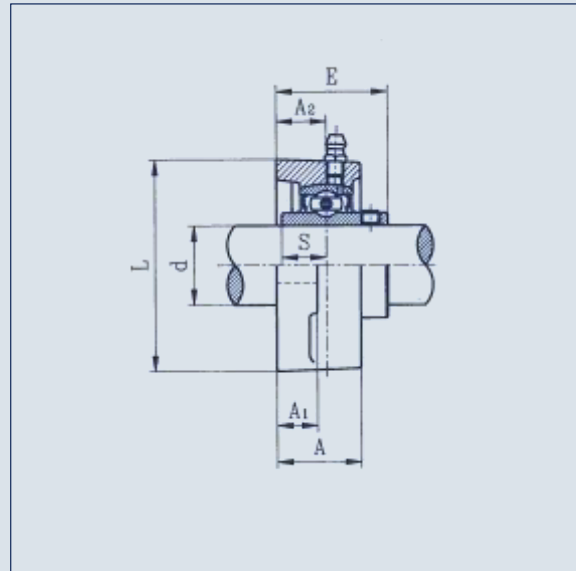
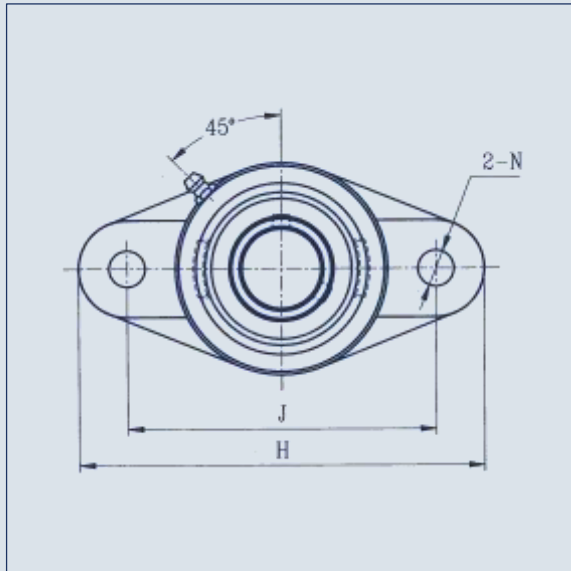


## SOPORTES FUNDICIÓN

Fijación por tornillo

UCFL2

07



Nº UNIDAD	Ø	Dimensiones (mm)									Métrica	Nº Rod.	Nº Caja	Peso Kg.
		H	J	L	A2	A1	A	E	N	S				
UCFL-202	15	99	76.5	57	15	11	25.5	30.9	11.5	11.5	M10	UC202		0.45
UCFL-203	17	99	76.5	57	15	11	25.5	30.9	11.5	11.5	M10	UC203	FL203	0.43
UCFL-204	20	113	90	60	15	11	25.5	33.3	11.5	12.7	M10	UC204	FL204	0.48
UCFL-205	25	130	99	68	16	13	27	35.7	11.5	14.3	M10	UC205	FL205	0.60
UCFL-206	30	148	117	80	18	13	31	40.2	11.5	15.9	M10	UC206	FL206	0.90
UCFL-207	35	161	130	90	19	14	34	44.4	14	17.5	M12	UC207	FL207	1.20
UCFL-208	40	175	144	100	21	14	36	51.2	14	19	M12	UC208	FL208	1.50
UCFL-209	45	188	148	108	22	16	38	52.2	18	19	M16	UC209	FL209	1.90
UCFL-210	50	197	157	115	22	16	40	54.6	18	19	M16	UC210	FL210	2.20
UCFL-211	55	224	184	130	25	18	43	58.4	18	22.2	M16	UC211	FL211	3.10
UCFL-212	60	250	202	140	29	18	48	68.7	18	25.4	M16	UC212	FL212	4.00
UCFL-213	65	258	210	155	30	20	50	69.7	23	25.4	M20	UC213	FL213	5.00
UCFL-214	70	265	216	160	31	20	54	75.4	23	30.2	M20	UC214	FL214	5.60
UCFL-215	75	275	225	164	34	22	55	78.5	23	33.3	M20	UC215	FL215	6.20
UCFL-216	80	290	233	180	34	22	58	83.3	25	33.3	M22	UC216	FL216	7.80
UCFL-217	85	305	248	190	36	22	63	87.6	25	34.1	M22	UC217	FL217	9.80
UCFL-218	90	320	265	205	40	23	68	96.3	25	39.7	M22	UC218	FL218	12.4

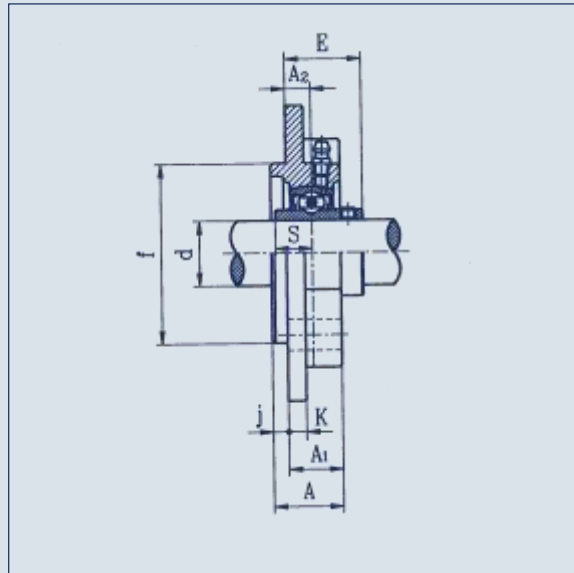
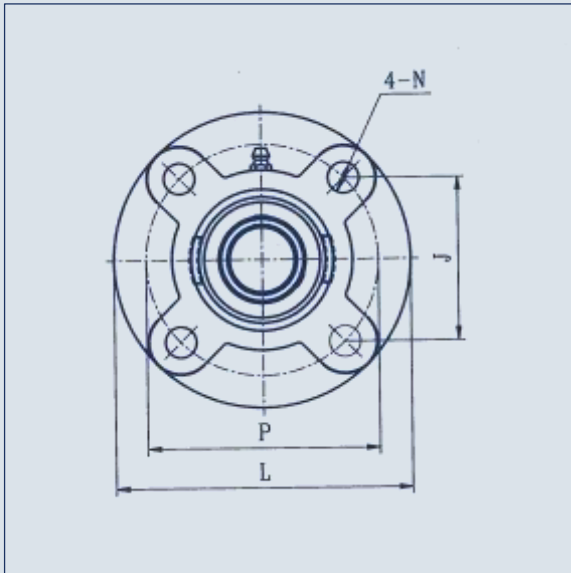


## SOPORTES FUNDICIÓN

Fijación por tornillo

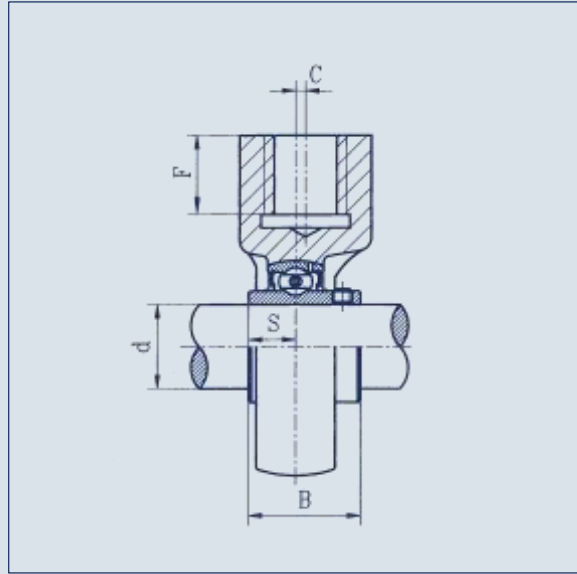
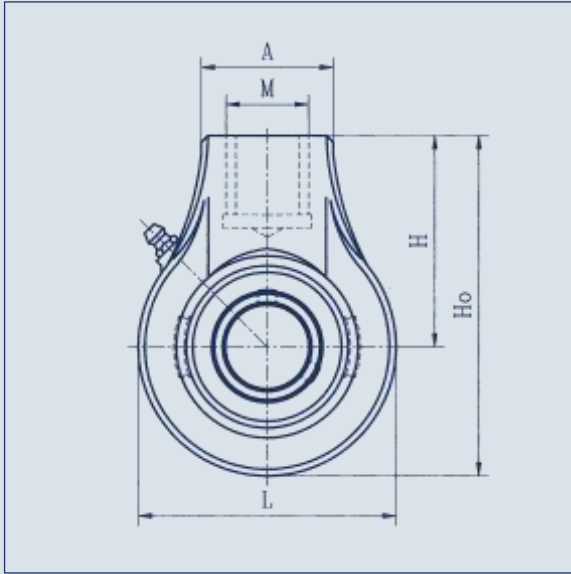
UCFC2

08

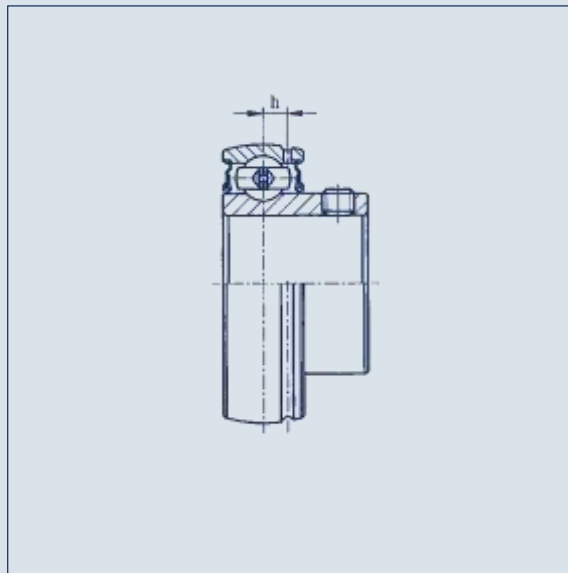
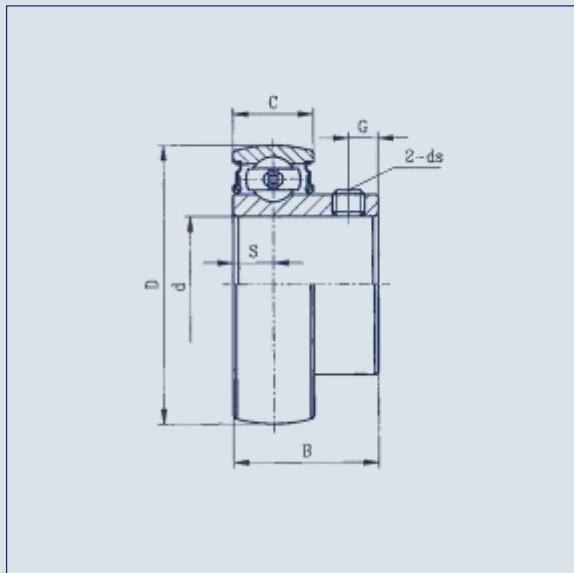


Nº UNIDAD	Ø	Dimensiones (mm)													Métrica	Nº Rod.	Nº Caja	Peso Kg.
		L	P	A2	A1	A	j	K	N	J	f	S	E					
UCFC-202	15	90	70	10	19	23	4	5	10	49.5	55	11.5	25.9	M8	UC202		0.56	
UCFC-203	17	90	70	10	19	23	4	5	10	49.5	55	11.5	25.9	M8	UC203	FC203	0.54	
UCFC-204	20	100	78	10	20.5	25.5	5	6	11.5	55.1	62	12.7	28.3	M10	UC204	FC204	0.76	
UCFC-205	25	115	90	10	21	27	6	7	12	63.6	70	14.3	29.7	M10	UC205	FC205	0.96	
UCFC-206	30	125	100	10	23	31	8	8	12	70.7	80	15.9	32.2	M10	UC-206	FC206	1.37	
UCFC-207	35	135	110	11	26	34	8	9	14	77.8	90	17.5	36.4	M12	UC207	FC207	1.70	
UCFC-208	40	145	120	11	26	36	10	9	14	84.8	100	19	41.2	M12	UC208	FC208	2.00	
UCFC-209	45	160	132	10	26	38	12	10	16	93.3	105	19	40.2	M14	UC209	FC209	2.70	
UCFC-210	50	165	138	10	28	40	12	14	16	97.6	110	19	42.6	M14	UC210	FC210	2.90	
UCFC-211	55	185	150	13	30	42	12	13	19	106.1	125	22.2	46.4	M16	UC211	FC211	4.20	
UCFC-212	60	195	160	17	36	48	12	15	19	113.1	135	25.4	56.7	M16	UC212	FC212	4.94	
UCFC-213	65	205	170	16	35	49	14	15	19	120.2	145	25.4	55.7	M16	UC213	FC213	5.70	
UCFC-214	70	215	177	17	38	52	14	16	19	125.1	150	30.2	61.4	M16	UC214	FC214	6.80	
UCFC-215	75	220	184	18	39	55	16	17	19	130.1	160	33.3	62.5	M16	UC215	FC215	7.20	
UCFC-216	80	240	200	18	42	58	16	18	23	141.4	170	33.3	67.3	M20	UC216	FC216	8.70	
UCFC-217	85	250	208	18	45	63	18	20	23	147.1	180	34.1	69.6	M20	UC217	FC217	10.3	
UCFC-218	90	265	220	22	50	68	18	20	23	155.5	190	39.7	78.3	M20	UC218	FC218	13.5	

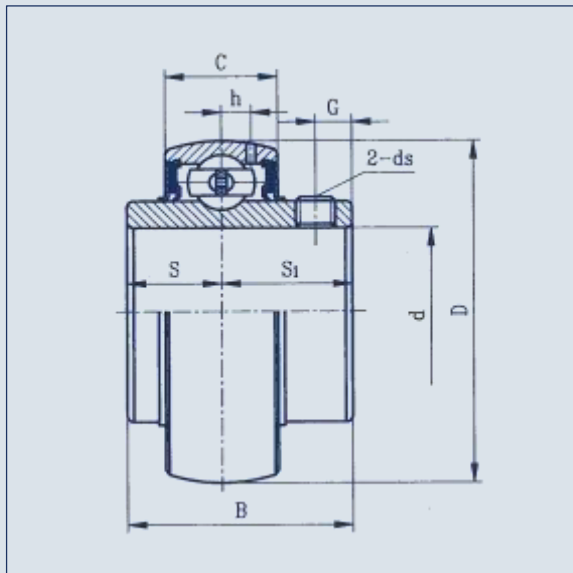




Nº UNIDAD	∅	Dimensiones (mm)									Nº Rod.	Nº Caja	Peso Kg.
		Ho	L	C	H	A	F	M	B	S			
UCHA-203	17	88.5	57	0	60	38	19	G3/4	27.4	11.5	UC203	HA203	0.60
UCHA-204	20	96	64	0	64	40	19	G3/4	31	12.7	UC204	HA204	0.70
UCHA-205	25	103	78	0	64	40	19	G3/4	34	14.3	UC-205	HA205	0.88
UCHA-206	30	103	78	0	64	40	19	G3/4	38.1	15.9	UC206	HA206	1.00
UCHA-207	35	116	92	0	70	40	19	G3/4	42.9	17.5	UC207	HA207	1.20
UCHA-208	40	121	96	2	73	40	19	G3/4	49.2	19	UC208	HA208	1.30
UCHA-209	45	136	108	5	82	48	21	G1	49.2	19	UC209	HA209	1.80
UCHA-210	50	140.5	115	5	83	48	21	G1	51.6	19	UC210	HA210	2.10
UCHA-211	55	150	126	7	87	60	24	G1-1/4	55.6	22.2	UC211	HA211	2.80
UCHA-212	60	173	142	9	102	60	28	G1-1/4	65.1	25.4	UC212	HA212	3.90
UCHA-213	65	200	166	9.5	117	70	32	G1-1/2	65.1	25.4	UC213	HA213	5.90
UCHA-214	70	200	166	9.5	117	70	32	G1-1/2	74.6	30.2	UC-214	HA214	5.90
UCHA-215	75	200	166	9.5	117	70	32	G1-1/2	77.8	33.2	UC215	HA215	5.90



Nº UNIDAD	Ø	Dimensiones (m m)							Carga dinámica	Carga estática	Peso Kg.
		D	C	h	B	S	G	ds			
SB-202	15	40	12	3.6	22	6	4	M5X0.8	9550	4780	0.08
SB-203	17	40	12	3.6	22	6	4	M5X0.8	9550	4780	0.10
SB-204	20	47	14	4	25	7	5	M6X1	12800	6650	0.15
SB-205	25	52	15	4.3	27	7.5	5.5	M6X1	14000	7880	0.18
SB-206	30	62	16	5	29	8	6	M6X1	19500	11200	0.28
SB-207	35	72	18	5.7	32	9	6	M6X1	25700	15200	0.43
SB-208	40	80	19	6.2	34	9.5	7	M8X1	29600	18200	0.60



Nº UNIDAD	Ø	Dimensiones (mm)								Carga dinámica	Carga estática	Peso Kg.
		D	B	C	S	S1	G	h	ds			
UC-202	15	40	27.4	14	11.5	15.9	4.5	3.5	M5X0.8	9550	4780	0.12
UC-203	17	40	27.4	14	11.5	15.9	4.5	3.5	M5X0.8	9550	4780	0.11
UC-204	20	47	31	16	12.7	18.3	4.7	4.4	M6X1	12800	6650	0.18
UC-205	25	52	34	17	14.3	19.7	5.5	4.3	M6X1	14000	7880	0.23
UC-206	30	62	38.1	19	15.9	22.2	5.5	5	M6X1	19500	11200	0.34
UC-207	35	72	42.9	20	17.5	25.4	6.5	5.8	M8X1	25700	15200	0.53
UC-208	40	80	49.2	21	19	30.2	8	6.3	M8X1	29600	18200	0.68
UC-209	45	85	49.2	22	19	30.2	8	6.8	M8X1	31850	20800	0.78
UC-210	50	90	51.6	23	19	32.6	9	6.5	M10X1.25	35100	23200	0.87
UC-211	55	100	55.6	25	22.2	33.4	9	7.2	M10X1.25	43550	29200	1.27
UC-212	60	110	65.1	27	25.4	39.7	10.5	8.2	M10X1.25	47800	32800	1.67
UC-213	65	120	65.1	28	25.4	39.7	12	8	M10X1.25	57200	40000	1.94
UC-214	70	125	74.6	30	30.2	44.4	12	9	M12X1.25	60800	45000	2.06
UC-215	75	130	77.8	30	33.3	44.5	12	9	M12X1.25	66000	49500	2.30
UC-216	80	140	82.6	33	33.3	49.3	14	10.3	M12X1.25	71500	54200	2.79
UC-217	85	150	85.7	35	34.1	51.6	14	11	M12X1.25	83200	63800	3.60
UC-218	90	160	96	37	39.7	56.3	14	12	M12X1.25	95900	71500	4.56

# 02

## SOPORTES TERMOPLÁSTICOS

Rodamientos

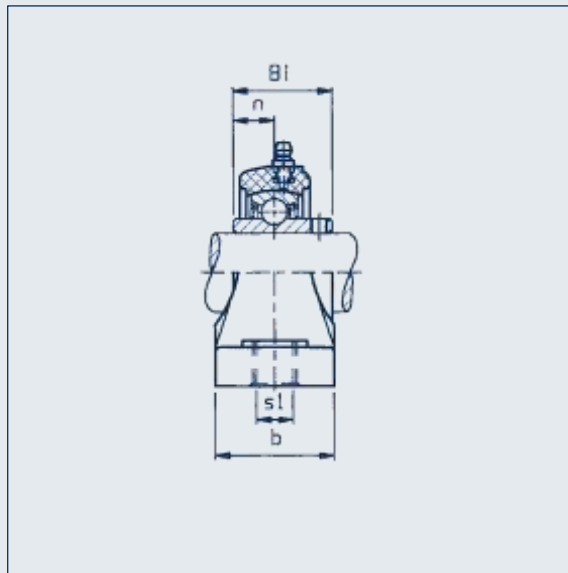
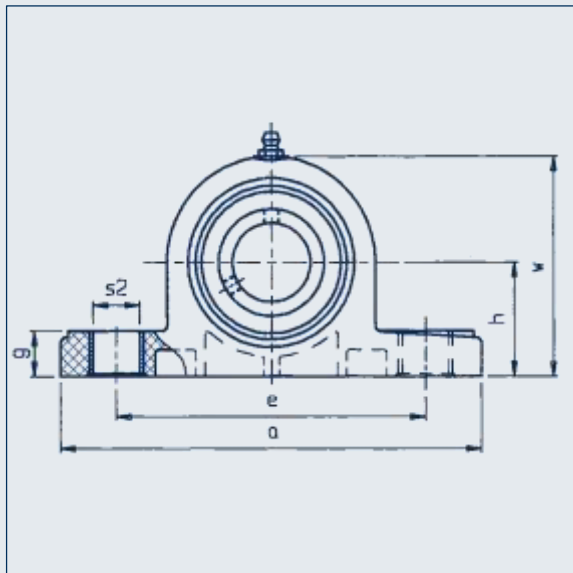
**CENTRO, S.L**





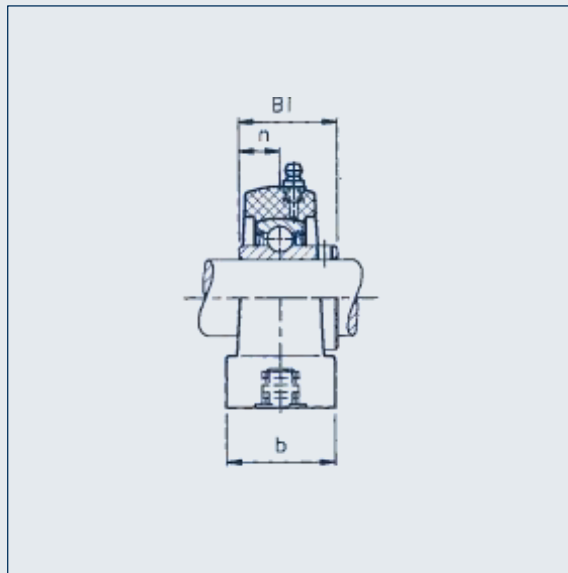
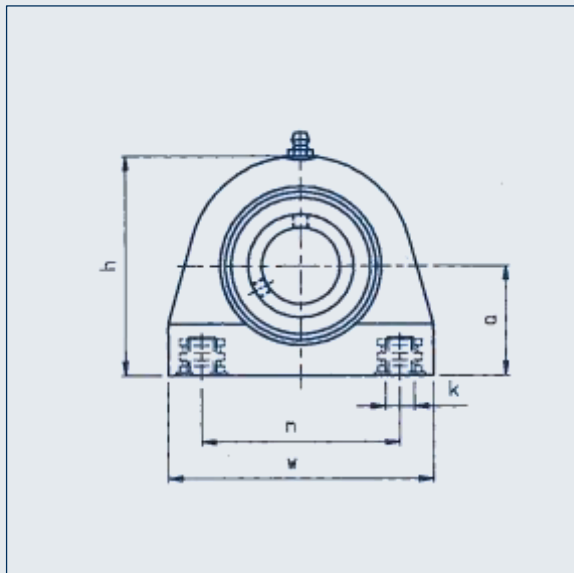
SOPORTES  
TERMOPLÁSTICO MUCPPL  
2

13



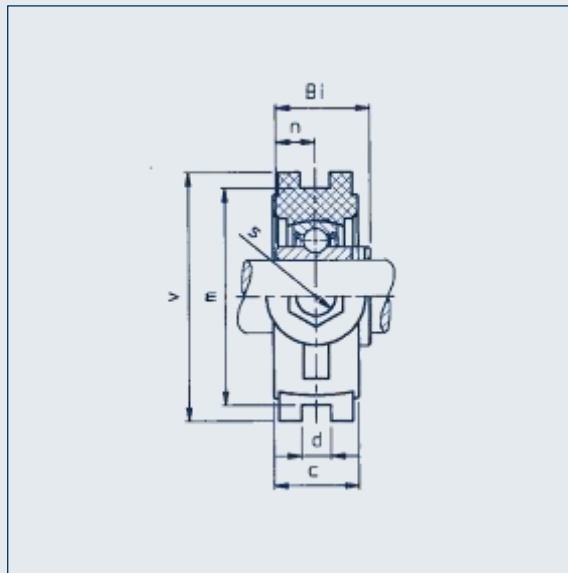
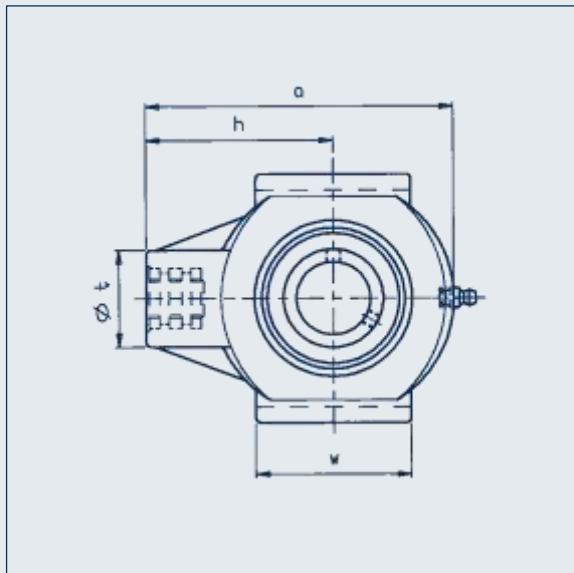
Nº UNIDAD	ø	Dimensiones (mm)										n	Métrica	Nº Rod.	Nº Caja	Peso Kg.
		a	e	b	g	l	s	z	i	Bi						
MUCPPL-202	15	33.3	127	95	38	11	14	14.2	65.5	31	12.7	M10	MUC-202	PPL-204	0.31	
MUCPPL-203	17	33.3	127	95	38	11	14	14.2	65.5	31	12.7	M10	MUC-203	PPL-204	0.30	
MUCPPL-204	20	33.3	127	95	38	11	14	14.2	65.5	31	12.7	M10	MUC-204	PPL-204	0.29	
MUCPPL-205	25	36.5	140.5	105	38	11	14	14.5	71	34	14.3	M10	MUC-205	PPL-205	0.34	
MUCPPL-206	30	42.9	163	119	46	14	18	17.8	84	38.1	15.9	M12	MUC-206	PPL-206	0.54	
MUCPPL-207	35	47.6	168	127	48	14	18	18	94.5	42.9	17.5	M12	MUC-207	PPL-207	0.78	
MUCPPL-208	40	49.2	184	137	54	14	18	19.5	99	49.2	19	M12	MUC-208	PPL-208	0.97	
MUCPPL-209	45	54	192	146	54	17	20	23	106	49.2	19	M16	MUC-209	PPL-209	1.09	
MUCPPL-210	50	57.2	206	159	60	17	20	23	114	51.6	19	M16	MUC-210	PPL-210	1.20	

Tipo de carga	Test del punto de rotura						
	204	205	206	207	208	209	210
	880	13700	12650	12750	13100	13360	13850
	770	10000	10600	10800	11100	11400	11750
	5000	8100	57500	7500	8500	8950	9550



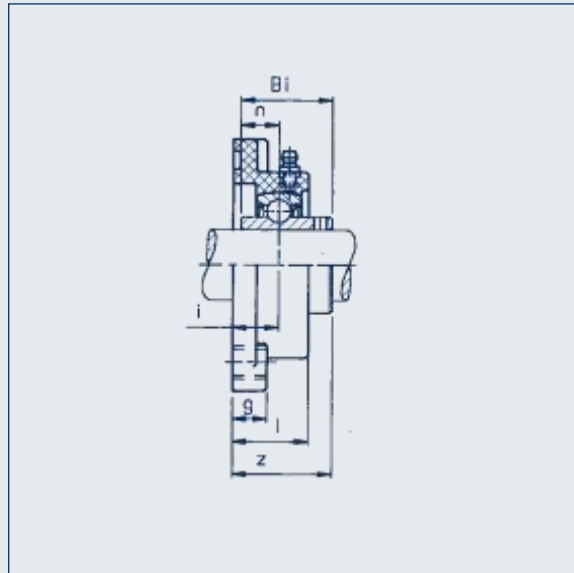
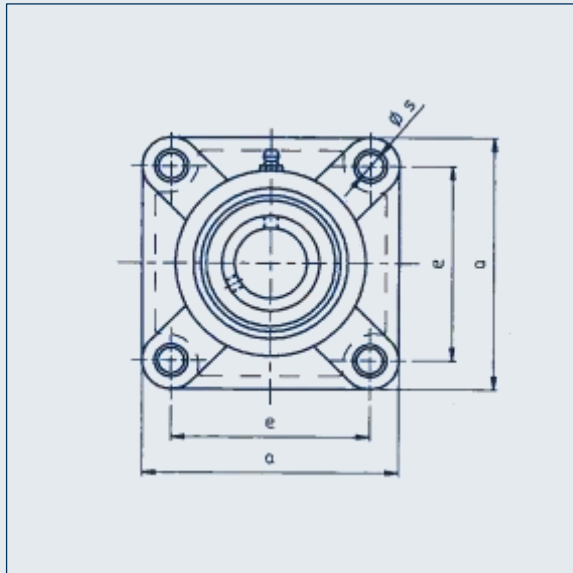
Nº UNIDAD	ø	Dimensiones (mm)								Métrica	Nº Rod.	Nº Caja	Peso Kg.
		a	b	h	m	w	k	BI	n				
MUCPAL-202	15	33.3	34.5	66	50.8	72.8	M8	31	12.7	M8	MUC-202	PAL-204	0.37
MUCPAL-203	17	33.3	34.5	66	50.8	72.8	M8	31	12.7	M8	MUC-203	PAL-204	0.36
MUCPAL-204	20	33.3	34.5	66	50.8	72.8	M8	31	12.7	M8	MUC-204	PAL-204	0.35
MUCPAL-205	25	36.5	39.5	73.5	50.8	76.2	M10	34	14.3	M10	MUC-205	PAL-205	0.40
MUCPAL-206	30	42.9	42.5	84	76.2	101	M10	38.1	15.9	M10	MUC-206	PAL-206	0.55
MUCPAL-207	35	47.6	47.5	95	82.6	110	M10	42.9	17.5	M10	MUC-207	PAL-207	0.80
MUCPAL-208	40	49.2	48	100.5	88.9	120	M12	49.2	19	M12	MUC-208	PAL-208	0.95
MUCPAL-209	45	54	50	108.5	95.3	124	M12	49.2	19	M12	MUC-209	PAL-209	1.10
MUCPAL-210	50	57.2	54	115	101.6	135	M16	51.6	19	M16	MUC-210	PAL-210	1.25

Tipo de carga	Test del punto de rotura						
	204	205	206	207	208	209	210
	8210	8540	10370	12150	12230	12900	13850
	6900	7010	6580	8080	9100	10400	11050
	2980	2850	4950	8160	9800	10710	11360



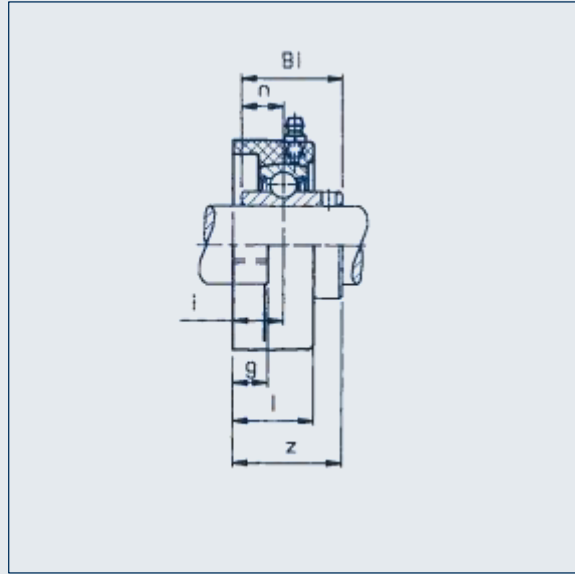
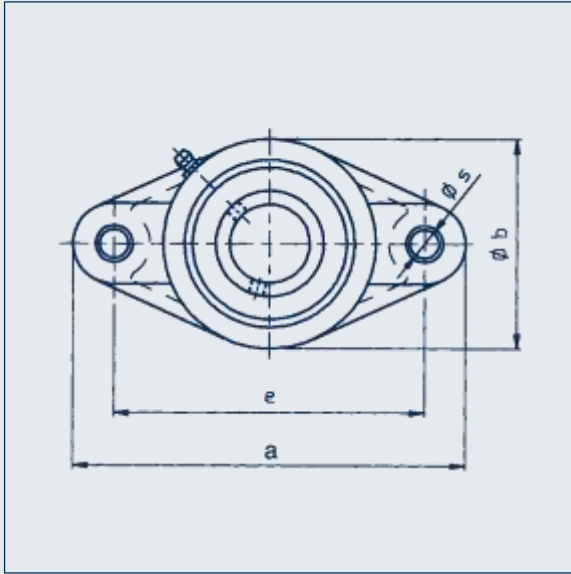
Nº UNIDAD	Ø	Dimensiones (mm)											Nº Rod.	Nº Caja	Pes o Kg.
		a	c	d	h	m	s	t	v	w	Bi	n			
MUCTPL-202	15	99	27.5	12	64	76	M16	36	89	47	31	12.7	MUC-202	TPL-204	0.38
MUCTPL-203	17	99	27.5	12	64	76	M16	36	89	47	31	12.7	MUC-203	TPL-204	0.36
MUCTPL-204	20	99	27.5	12	64	76	M16	36	89	47	31	12.7	MUC-204	TPL-204	0.35
MUCTPL-205	25	99	27.5	12	64	76	M16	36	89	47	31	14.3	MUC-205	TPL-205	0.40
MUCTPL-206	30	125	34.5	12	76	89	M16	40	102.5	63	38.1	15.9	MUC-206	TPL-206	0.55
MUCTPL-207	35	125	34.5	12	76	89	M16	40	102.5	63	42.9	17.5	MUC-207	TPL-207	0.80
MUCTPL-208	40	140	34.5	16	85	102	M16	40	113	80	49.2	19	MUC-208	TPL-208	0.95
MUCTPL-209	45	149	40	16	90	102	M20	50	117	85	49.2	19	MUC-209	TPL-209	1.10
MUCTPL-210	50	149	40	16	90	102	M20	50	117	85	51.6	19	MUC-210	TPL-210	1.25

Tipo de carga	Test del punto de rotura						
	204	205	206	207	208	209	210
	14800	15500	15800	16500	17300	18210	18860
	3930	4530	5100	6500	7800	8710	9750
	8500	10350	10900	11300	12150	12900	13550
	40770	45300	46100	44100	42800	44230	44880



Nº UNIDAD	Ø	Dimensiones (mm)										Nº Rod.	Nº Caja	Peso Kg.
		a	e	g	l	s	z	i	Bi	n	W			
MUCFPL-202	15	86	63.5	13.4	27.8	11	36.3	18	31	12.7	M10	MUC-202	FPL-204	0.31
MUCFPL-203	17	86	63.5	13.4	27.8	11	36.3	18	31	12.7	M10	MUC-203	FPL-204	0.30
MUCFPL-204	20	86	63.5	13.4	27.8	11	36.3	18	31	12.7	M10	MUC-204	FPL-204	0.29
MUCFPL-205	25	95	70	14.3	28	11	36.7	17	34	14.3	M10	MUC-205	FPL-205	0.36
MUCFPL-206	30	107	83	14.3	31.5	11	41.4	19.2	38.1	15.9	M12	MUC-206	FPL-206	0.50
MUCFPL-207	35	118	92	15.5	34.8	13	46.9	21.5	42.9	17.5	M12	MUC-207	FPL-207	0.74
MUCFPL-208	40	130	102	17	37.5	14	53.2	23	49.2	19	M12	MUC-208	FPL-208	0.97
MUCFPL-209	45	137	105	19	41	17	54.2	24	49.2	19	M16	MUC-209	FPL-209	1.10
SOPORTE CON MUESCA PARA RETÉN TRASERO	43	17	57.6	25	51.6	19	M16	MUC-210	FPL-210	1.25				
Test del punto de rotura														
Tipo de carga		<b>204</b>	<b>205</b>	<b>206</b>	<b>207</b>	<b>208</b>	<b>209</b>	<b>210</b>						
		15950	13000	18000	18500	19100	19350	19650						
		10250	12150	17700	18500	19250	19350	19620						
		3650	3350	3520	3520	3790	3850	3990						

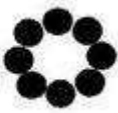




Nº UNIDAD	Ø	Dimensiones (mm)										M	Carga dinámica	Carga estática	Peso Kg.
		a	e	b	g	l	s	z	i	Bi	n				
MUCNFL-202	15	130	90	65	11.4	26.5	11	33.7	15.4	31	12.7	M10	MUC-202	NFL-204	0.26
MUCNFL-203	17	130	90	65	11.4	26.5	11	33.7	15.4	31	12.7	M10	MUC-203	NFL-204	0.25
MUCNFL-204	20	130	90	70	11.4	26.5	11	33.7	15.4	31	12.7	M10	MUC-204	NFL-204	0.24
MUCNFL-205	25	131	99	69.5	13.5	29.1	11	36.7	17	34	14.3	M10	MUC-205	NFL-205	0.30
MUCNFL-206	30	148	117	80	13.3	30.5	11	41.2	19	38.1	15.9	M12	MUC-206	NFL-206	0.45
MUCNFL-207	35	164	130	90	16.1	32.8	13	43.4	18	42.9	17.5	M12	MUC-207	NFL-207	0.66
MUCNFL-208	40	176	144	100	20	37.5	14	51.7	21.5	49.2	19	M12	MUC-208	NFL-208	0.87
MUCNFL-209	45	188.5	148.5	108	21	41	17	54.2	24	49.2	19	M16	MUC-209	NFL-209	1.00
MUCNFL-210	50	197	157	115	21	43	17	57.6	25	51.6	19	M16	MUC-210	NFL-210	1.20

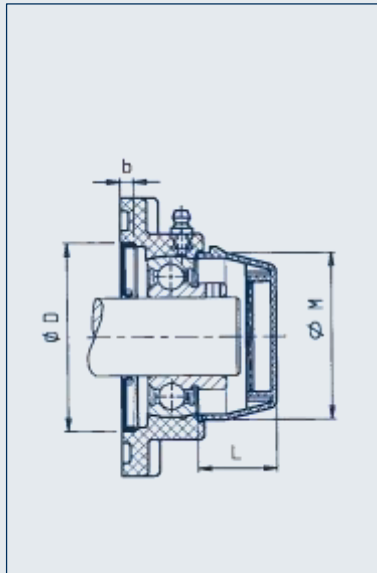
## SOPORTE CON MUESCA PARA RETÉN TRASRO

Tipo de carga	Test del punto de rotura						
	204	205	206	207	208	209	210
	11750	11375	16450	16900	17350	17600	17950
	11000	13850	13350	13950	14050	14300	14550
	8500	11100	14200	14900	15150	15350	15650

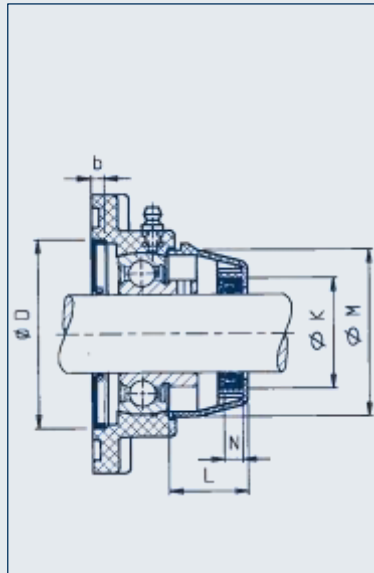


TAPAS PROTECTORAS  
PLÁSTICO RETENES  
TRASEROS

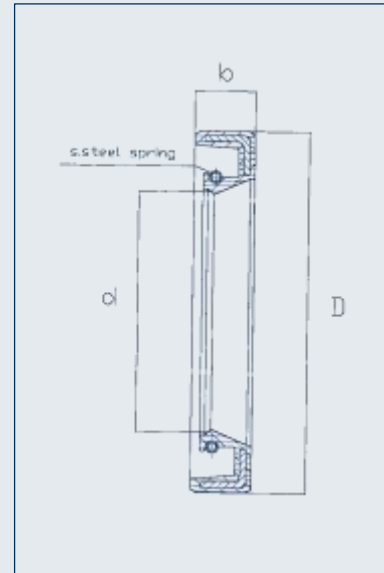
18



Tapas protectoras plástico - Cerrada



Tapas protectoras plástico - Abierta



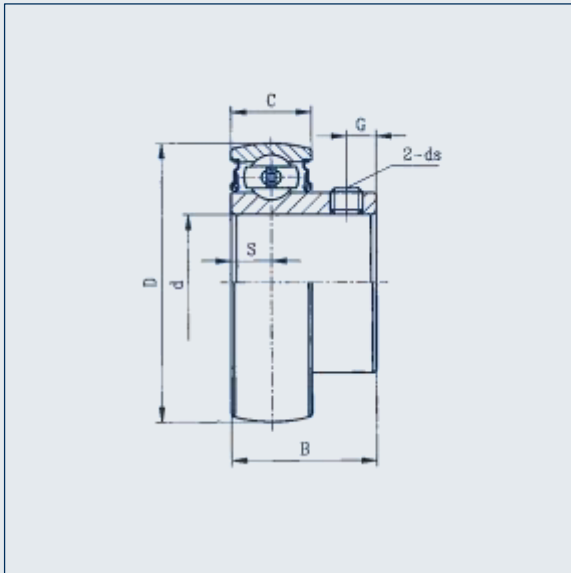
Retenes traseros

## Tapas protectoras plástico

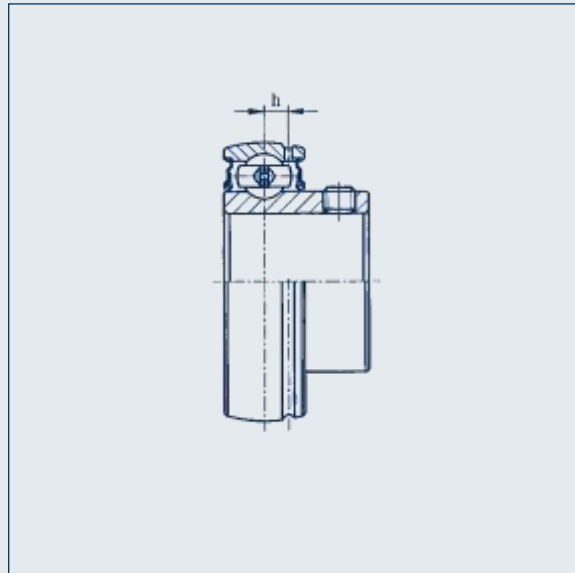
Ø	K	N	L	M	D	b
15	32	7	23	50	52	6
17	32	7	23	50	52	6
20	32	7	23	50	52	6
25	37	7	25	55	62	6
30	42	7	30	64	72	6
35	47	7	32	74.5	82	6
40	52	7	37	84	88	6
45	57	7	41	89	93	6
50	62	7	47	94	98	6

## Retenes traseros

Nº UNIDAD	d	b	D
204	20	6	52
205	25	6	62
206	30	6	72
207	35	6	82
208	40	6	88
209	45	6	93
210	50	6	98

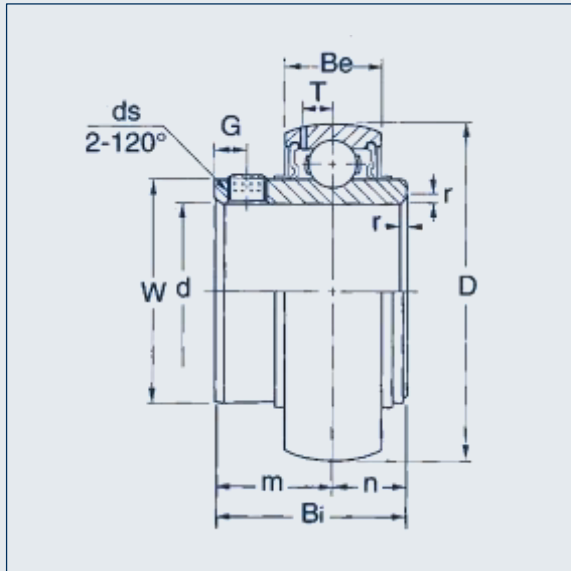
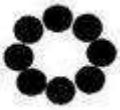


SB 2 · Fijación por tornillo



SB 2G · RELUBRICABLE

Nº UNIDAD	Ø	Dimensiones ( m )							Carga dinámica	Carga estática	Peso Kg.
		D	C	h	B	S	G	ds			
SB-202	15	40	12	3.6	22	6	4	M5X0.8	9550	4780	0.08
SB-203	17	40	12	3.6	22	6	4	M5X0.8	9550	4780	0.10
SB-204	20	47	14	4	25	7	5	M6X1	12800	6650	0.15
SB-205	25	52	15	4.3	27	7.5	5.5	M6X1	14000	7880	0.18
SB-206	30	62	16	5	29	8	6	M6X1	19500	11200	0.28
SB-207	35	72	18	5.7	32	9	6	M6X1	25700	15200	0.43
SB-208	40	80	19	6.2	34	9.5	7	M8X1	29600	18200	0.60



Nº UNIDAD	Ø	Dimensiones (mm)										Carga dinámica	Carga estática	Peso Kg.
		D	Bi	Be	r	n	m	G	Ds	T	W			
UC-202	15	47	31	17	1.5	12.7	18.3	4.5	M6X1	4.5	29	10900	5300	0.18
UC-203	17	47	31	17	1.5	12.7	18.3	4.5	M6X1	4.5	29	10900	5300	0.18
UC-204	20	47	31	17	1.5	12.7	18.3	4.5	M6X1	4.5	29	10900	5300	0.15
UC-205	25	52	34	17	1.5	14.3	19.7	5	M6X1	4.5	34	11900	6300	0.19
UC-206	30	62	38.1	19	1.5	15.9	22.2	5	M6X1	5.1	40.5	16700	9050	0.31
UC-207	35	72	42.9	20	2	17.5	25.4	6	M8X1	5.8	48	22000	12300	0.48
UC-208	40	80	49.2	21	2	19	30.2	8	M8X1	6.2	53	24900	14300	0.62
UC-209	45	85	49.2	22	2	19	30.2	8	M8X1	6.5	57.3	28100	16400	0.67
UC-210	50	90	51.6	23	2	19	32.6	9	M10X1.25	6.5	63	30200	18600	0.78



T 91 677 12 66 [www.rodacentro.es](http://www.rodacentro.es) F 91 676 79 08